



**SUPERIA**  
BELGIUM BRAND TYRES

SINCE  
2013  
Belgium

SUPERIA

## History of the (PTC GROUP) Company






### ACTIVITIES

Import & export, design and production of tire, Rim, Battery, car safety and sports accessories.

Tire exclusive distributor of  (Italy)  (China)  (Thailand)

 (Belgium)  (Belgium)  (Germany)

Tire exclusive distributor of  (Japan)  and  in Middle Eastern countries: IRAN, UAE, Qatar, Oman, Bahrain, Saudi Arabia, Kuwait, Iraq

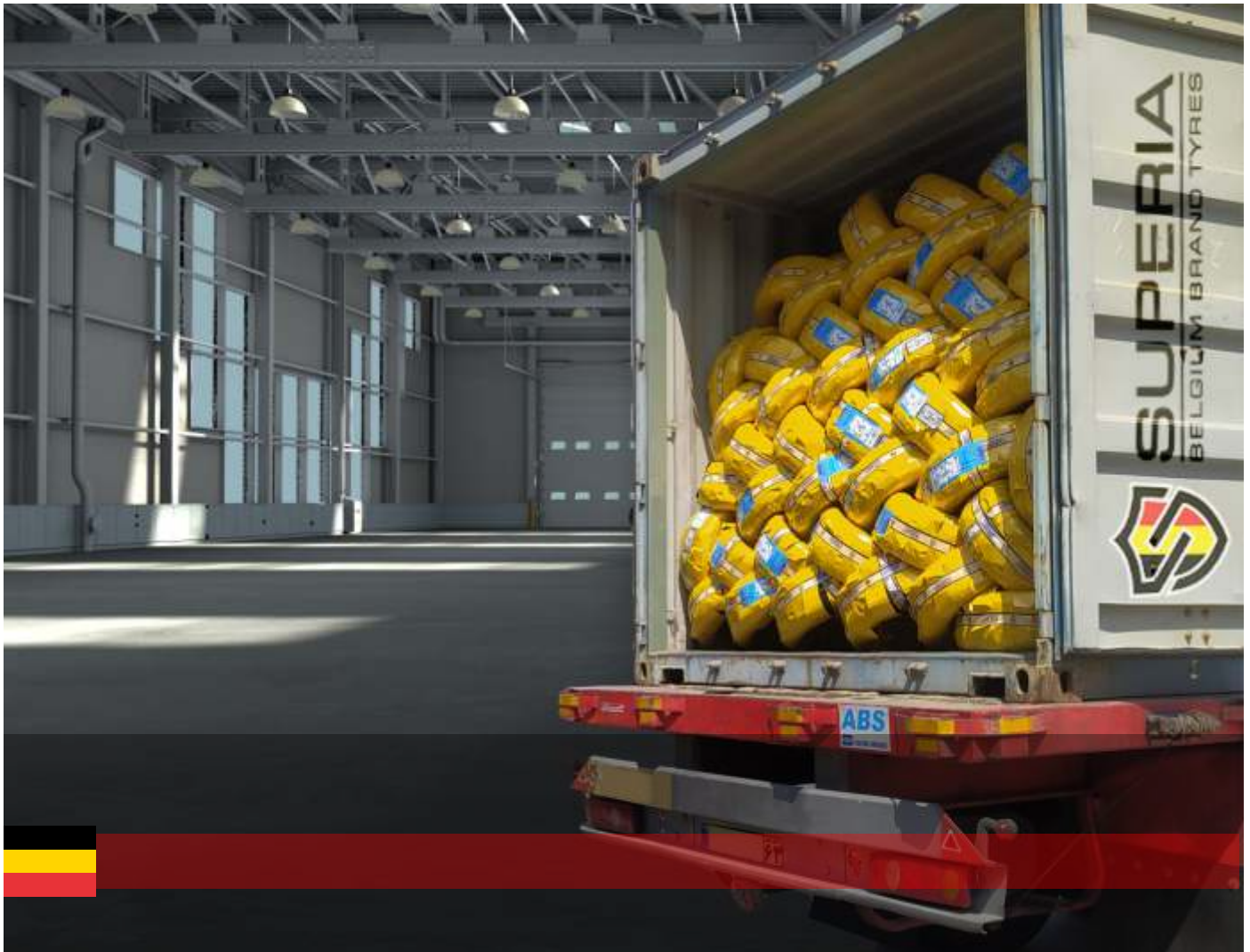
Turkey, Afghanistan, Pakistan and (CIS) countries:

Rim exclusive distributor of  (Italy)  (Thailand) ,  (Japan)

Rim and safety accessories exclusive distributor of the  (Italy)

And also PTC GROUP is the Designer of the below Brands





1. Superia quality:

Superia exceptional quality is rooted from the production line that is the same as one of the world TOP 3 premium brands.

2. Superia design:

Latest modern and state -of-the-art patterns by European and Asian engineers.

3. Superia certifications:

DOT, EU LABEL, ISO, INMETRO, GSO, SASO etc.

4. Superia performance:

Long mileage;

Comfort;

Handling.

5. Superia size range:

Summer tires - HP, UHP, SUV(HT, AT, MT), LTR;

Speciality Trailer tires;

Studless winter tires ;



# SUPERIA

BELGIUM BRAND TYRES

SORT	PATTERN	PERFORMANCE	SORT	PATTERN	PERFORMANCE	SORT	PATTERN	PERFORMANCE
	<b>ECOBBLUE HP</b>			<b>ECOBBLUE HP2</b>			<b>ECOBBLUE UHP</b>	
<b>HP</b>	 Economy	 High mileage	<b>HP</b>	 Silence	 Silica	<b>UHP</b>	 Handling	 Silence
	 Wet traction	 Handling		 Wet traction	 Safety		 Wet traction	 Asymmetric
		 Safety		 Handling			 Silica	

SORT	PATTERN	PERFORMANCE	SORT	PATTERN	PERFORMANCE	SORT	PATTERN	PERFORMANCE
	<b>ECOBBLUE UHP2</b>			<b>ECOBBLUE VAN2</b>			<b>ECOBBLUE SUV</b>	
<b>UHP</b>	 Handling	 Silence	<b>VAN/LTR</b>	 Silica	 Handling	<b>SUV H/P</b>	 Sport driving	 Handling
	 Wet traction	 Asymmetric		 Wet traction	 High		 Wet traction	 Silence
	 Silica			 Safety			 Steer-precise	 Safety

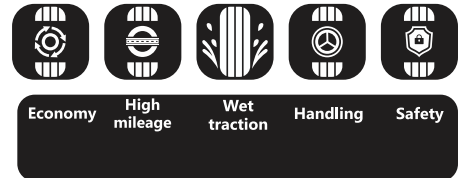
SORT	PATTERN	PERFORMANCE	SORT	PATTERN	PERFORMANCE
	<b>ECOBBLUE AT</b>			<b>ECOBBLUE AT2</b>	
<b>SUV A/T</b>	 Sport driving	 Handling	<b>SUV A/T</b>	 Sport driving	 Handling
	 Wet traction	 Steer-precise		 Wet traction	 Steer-precise
	 Safety			 Safety	



**SUPERIA**  
BELGIUM BRAND TYRES



## ECOBLUE HP



SIZE	LOAD INDEX	SPEED RATING	STANDARD RIM	SECTION WIDTH (mm)	OVERALL DIAMETER (mm)	MAX LOAD CAPACITY (kg)	MAX PRESSURE (kPa)	MAX SPEED (km/h)
145/60R13	66	T	4.50 B	150	504	300	300	190
145/70R13	71	T	4.50 B	150	534	345	300	190
145/80R13	75	T	4.00B	145	562	387	300	190
145/80R13	79 XL	T	4.00B	145	562	437	340	190
155/65R13	73	T	4.5B	157	532	365	300	190
155/70R13	75	T	4.50 B	157	548	387	300	190
155/80R13	79	T	4.50B	157	578	437	300	190
165/70R13	79	T	5.0B	170	562	437	300	190
165/70R13	83 XL	T	5.0B	170	562	487	340	190
175/60R13	77	H	5.00B	177	540	412	300	210
175/65R13	80	T	5.0J	177	558	450	300	190
185/70R13	86	T	5.5B	189	590	530	300	190
155/65R14	75	T	4.5J	157	558	387	300	190
165/60R14	75	H	5.0J	170	554	387	300	210
165/65R14	79	T	5.0J	170	570	437	300	190



**SUPERIA**  
BELGIUM BRAND TYRES

## ECOBBLUE HP

SIZE	LOAD INDEX	SPEED RATING	STANDARD RIM	SECTION WIDTH (mm)	OVERALL DIAMETER (mm)	MAX LOAD CAPACITY (kg)	MAX PRESSURE (kPa)	MAX SPEED (km/h)
175/70R14	84	T	5.0 J	177	602	500	300	190
175/70R14	88 XL	T	5.0 J	177	602	560	340	190
175/80R14	88	T	5.0J	177	636	560	300	190
175/65R14	82	T	5J	177	584	475	300	190
175/65R14	86 XL	T	5J	177	584	530	340	190
175/65R14	82	H	5J	177	584	475	300	210
175/60R14	79	H	5.0J	177	566	437	300	210
185/55R14	80	H	6.0J	194	560	450	300	210
185/60R14	82	H	5.5J	189	578	475	300	210
185/65R14	86	T	5.5J	189	596	530	300	190
185/65R14	86	H	5.5J	189	596	530	300	210
185/70R14	88	T	5.5J	189	616	560	300	190
205/60R14	88	H	6J	209	602	560	300	210
165/60R15	81 XL	T	5J	170	579	462	340	190
175/65R15	84	T	5.0J	177	584	500	300	190
175/65R15	84	H	5.0J	177	584	500	300	210
185/55R15	82	H	6.0J	194	585	475	300	210
185/55R15	82	V	6.0J	194	585	475	300	240
185/55R15	86 XL	V	6.0J	194	585	530	340	240
185/60R15	84	H	5.5J	189	603	500	300	210
185/60R15	88 XL	H	5.5J	189	603	560	340	210
185/65R15	88	T	5.5J	189	621	560	300	190
185/65R15	92 XL	T	5.5J	189	621	630	340	190
185/65R15	88	H	5.5J	189	621	560	300	210
195/50R15	82	H	6.0J	201	577	475	300	210
195/50R15	82	V	6.0J	201	577	475	300	240
195/55R15								210
195/55R15	85	V	6.0J	201	595	515	300	240
195/60R15	88	H	6.0J	201	615	560	300	210
195/60R15	88	V	6.0J	201	615	560	300	240
195/65R15	95 XL	T	6.0J	201	635	690	340	190

## ECOBLUE HP

SIZE	LOAD INDEX	SPEED RATING	STANDARD RIM	SECTION WIDTH (mm)	OVERALL DIAMETER (mm)	MAX LOAD CAPACITY (kg)	MAX PRESSURE (kPa)	MAX SPEED (km/h)
195/65R15	91	H	6.0J	201	635	615	300	210
195/65R15	91	V	6.0J	201	635	615	300	240
205/55R15	88	V	6.5J	214	607	560	300	240
205/60R15	91	H	6J	209	627	615	300	210
205/60R15	91	V	6.0J	209	627	615	300	240
205/65R15	94	H	6.0J	209	647	670	300	210
205/65R15	94	V	6.0J	209	647	670	300	240
205/70R15	96	H	6.0J	209	669	710	300	210
215/65R15	96	H	6.5J	221	661	710	300	210
195/50R16	84	V	6J	201	602	500	300	240
195/55R16	87	H	6 J	201	620	545	300	210
195/55R16	87	V	6 J	201	620	545	300	240
195/55R16	91 XL	V	6 J	201	620	615	340	240
Rs300 155 R12C RS100 195/60R16	89	H	6.0J	201	640	580	300	210
205/55R16	91	H	6.5J	214	632	615	300	270
205/55R16	91	V	6.5J	214	632	615	300	240
205/55R16	94 XL	V	6.5J	214	632	670	340	240
205/55R16								
205/60R16	92	H	6.0J	209	652	630	300	210
205/60R16	92	V	6.0J	209	652	630	300	240
205/60R16	96 XL	V	6.0J	209	652	710	340	240
215/55R16	97 XL	V	7J	226	642	730	340	240
215/55R16	97 XL	W	7J	226	642	730	340	270
215/60R16	99 XL	V	6.5J	221	664	775	340	240
215/65R16	98	V	6.5J	221	686	750	300	240



**SUPERIA**  
BELGIUM BRAND TYRES

## ECOBLUE HP

### resistance and wet traction

Three circumferential grooves provide excellent hydroplaning resistance and wet traction

### improve acceleration and braking traction

Multiple independent tread blocks improve acceleration and braking traction



### tyre wear and mileage

Unique tread compound improves tyre wear and mileage

### enhances handling

Computer-optimized outer shoulder design enhances handling





# SUPERIA

BELGIUM BRAND TYRES



## ECOBLUE HP2



Silence Silica Wet traction Safety Handling

SIZE	LOAD INDEX	SPEED RATING	STANDARD RIM	SECTION WIDTH (mm)	OVERALL DIAMETER (mm)	MAX LOAD CAPACITY (kg)	MAX PRESSURE (kPa)	MAX SPEED (km/h)
P205/75R15 WSW	97	T	5.5J	203	689	730	300	190
P215/70R15 WSW	98	S				750	300	180
P215/75R15 WSW	100	S				800	300	180
P225/75R15 WSW	102	S				850	300	180
P225/70R15 WSW	100	T	6.5J	228	697	800	300	190



**33mm width**

Fashionable wide white sidewall design

Three solid ribs designed for high-speed stability and extra traction



Unique tread compound improves tyre wear and mileage

Multiple sipe arrangement enhances traction on slippery surface



**SUPERIA**  
BELGIUM BRAND TYRES



**ECOBLUE HP2**





# SUPERIA

BELGIUM BRAND TYRES



## ECOBBLUE UHP



Handling Silence Wet traction Asymmetric Silica

SIZE	LOAD INDEX	SPEED RATING	STANDARD RIM	SECTION WIDTH (mm)	OVERALL DIAMETER (mm)	MAX LOAD CAPACITY (kg)	MAX PRESSURE (kPa)	MAX SPEED (km/h)
195/45R15	78	V	6.5J	195	557	425	300	240
195/45R16	84 XL	V	6.5J	195	582	500	340	240
205/45ZR16	87 XL	W	7J	206	590	545	340	270
205/50ZR16	87	W	6.5J	214	612	545	300	270
215/45R16	90 XL	V	7J	213	600	600	340	240
225/50ZR16	92	W	7J	233	632	630	300	270
225/55R16	99 XL	V	7J	233	654	775	340	240
225/60R16	102 XL	V	6.5J	228	676	850	340	240
225/55R16	99 XL	W	7J	233	654	775	340	270
195/45R17	85 XL	W	6.5J	195	608	515	340	270
205/45ZR17	88 XL	W	7J	206	616	560	340	270
205/50ZR17	93 XL	W	6.5J	214	638	650	340	270
205/55R17	95 XL	W	6.5J	214	658	690	340	270
215/40ZR17	87 XL	W	7.5J	218	604	545	340	270
215/45R17	91 XL	W	7J	213	626	615	340	270
215/50ZR17	95 XL	W	7J	226	648	690	340	270
215/55R17	98 XL	W	7J	226	668	750	340	270
225/50R17	94	W	7J	233	658	670	300	270
225/50R17	98 XL	Y	7J	233	658	750	340	300
225/55R17	101 XL	W	7J	233	680	825	340	270
245/40R17	95 XL	W	8.5J	248	628	690	340	270
225/45ZR17	94 XL	W	7.5J	225	634	670	340	270
235/50R17	100 XL	W	7.5J	245	668	800	340	270
235/45R17	97 XL	W	8J	236	644	730	340	270
235/55ZR17	103 XL	W	7.5J	245	690	875	340	270
245/45R17	99 XL	W	8J	243	652	775	340	270
215/35ZR18	84 XL	W	7.5J	218	607	500	340	270
215/40R18	89 XL	W						
225/40R18	99 XL	Y						
215/45R18	93 XL	W	7J	213	653	650	340	270
225/45ZR18	95 XL	W	7.5J	225	659	690	340	270



**SUPERIA**  
BELGIUM BRAND TYRES

## ECOBLUE UHP

SIZE	LOAD INDEX	SPEED RATING	STANDARD RIM	SECTION WIDTH (mm)	OVERALL DIAMETER (mm)	MAX LOAD CAPACITY (kg)	MAX PRESSURE (kPa)	MAX SPEED (km/h)
235/40R18	95 XL	W	8.5J	241	645	690	340	270
235/45ZR18	98 XL	W	8J	236	669	750	340	270
245/40R18	97 XL	W	8.5J	248	653	730	340	270
245/45R18	100 XL	W	8J	243	677	800	340	270
255/40R18	99 XL	W	9J	260	661	775	340	270
255/35ZR18	94 XL	W	9J	260	635	670	340	270
255/45R18	103 XL	W	8.5J	255	687	875	340	270
265/35R18	97 XL	W	9.5J	271	643	730	340	270
215/35R19	85 XL	W	7.5J	218	633	515	340	270
225/35ZR19	88 XL	W	8J	230	641	560	340	270
255/35R20	97 XL	W	9.0J	260	686	730	340	270
255/30R20	92 XL	Y	9J	260	662	630	340	300
255/40R19	100 XL	W	9J	260	687	800	340	270
275/30R19	96 XL	W	9.5J	278	649	710	340	270
275/40R19	105 XL	W	9.5J	278	703	925	340	270

### maintain noise performance

Asymmetrical non-directional tread pattern allows cross-rotation to maintain noise performance

### high-speed stability and extra traction

Solid center rib designed for high-speed stability and extra traction

### enhances cornering stability

Continuous outer shoulder design enhances cornering stability



### provide excellent hydroplaning resistance and wet traction

Four wide circumferential grooves provide excellent hydroplaning resistance and wet traction

### promotes outstanding wet and dry traction

Innovative tread silica compound promotes outstanding wet and dry traction



**SUPERIA**  
BELGIUM BRAND TYRES





**SUPERIA**  
BELGIUM BRAND TYRES



**ECOBLUE UHP2**



Handling Silence Wet traction Asymmetric Silica

SIZE	LOAD INDEX	SPEED RATING	STANDARD RIM	SECTION WIDTH (mm)	OVERALL DIAMETER (mm)	MAX LOAD CAPACITY (kg)	MAX PRESSURE (kPa)	MAX SPEED (km/h)
235/65R17	108 XL	V	7.0J	240	738	1000	340	240
255/45R17	102 XL	W	8.5J	255	662	850	340	270
225/50R18	99 XL	W	7J	233	683	775	340	270
225/60R18	100	V	6.5J	228	727	800	300	240
235/50R18	101 XL	Y	7.5J	245	693	825	340	300
235/60R18	107 XL	W	7J	240	739	975	340	270
245/50R18	104 XL	W	7.5J	253	703	900	340	270
255/40R18	99 XL	W	9.0J	260	661	775	340	270
255/60R18	112 XL	V	7.5J	260	763	1120	340	240
275/45R18	107 XL	W	9.0J	273	705	975	340	270
285/35R18	101 XL	W	10.0J	290	657	825	340	270
225/40R19	93 XL	Y	8.0J	230	663	650	340	300
225/45R19	96 XL	Y	7.5J	225	685	710	340	300
225/55R19	99	V	7.0J	233	731	775	300	240
235/35R19	91 XL	Y	8.5J	241	647	615	340	300
235/40R19	96 XL	Y	8.5J	241	671	710	340	300
235/45R19	99 XL	W	8.0J	236	695	775	340	270
235/50R19	103 XL	Y	7.5J	245	719	875	340	300
235/55R19	105 XL	W	7.5J	245	741	925	340	270
245/35R19	93 XL	Y	8.5J	248	655	650	340	300
245/40ZR19	98 XL	Y	8.5J	248	679	750	340	300
245/45ZR19	102 XL	W	8.0J	243	703	850	340	270
255/30R19	91 XL	Y	9.0J	260	637	615	340	300
255/35R19	96 XL	Y	9.0J	260	661	710	340	300
255/45R19	100	Y	8.5J	255	713	800	300	300
255/55R19	111 XL	W	8.0J	265	763	1090	340	270

## ECOBLUE UHP2

SIZE	LOAD INDEX	SPEED RATING	STANDARD RIM	SECTION WIDTH (mm)	OVERALL DIAMETER (mm)	MAX LOAD CAPACITY (kg)	MAX PRESSURE (kPa)	MAX SPEED (km/h)
255/60R19	113 XL	V	7.5J	260	789	1150	340	240
265/30R19	93 XL	Y	9.5J	271	643	650	340	300
265/35R19	98 XL	Y	9.5J	271	669	750	340	300
265/50ZR19	110 XL	W	8.5J	277	749	1060	340	270
275/35R19	100 XL	Y	9.5J	278	675	800	340	300
275/40R19	105 XL	W	9.5J	278	703	925	340	270
275/45ZR19	108 XL	W	9.0J	273	731	1000	340	270
275/55R19	111	W	8.5J	284	785	1090	300	270
285/40R19	107 XL	W	10.0J	290	711	975	340	270
245/45R20	103 XL	Y	8.0J	243	728	875	340	300





# SUPERIA

BELGIUM BRAND TYRES



## ECOBUE VAN2

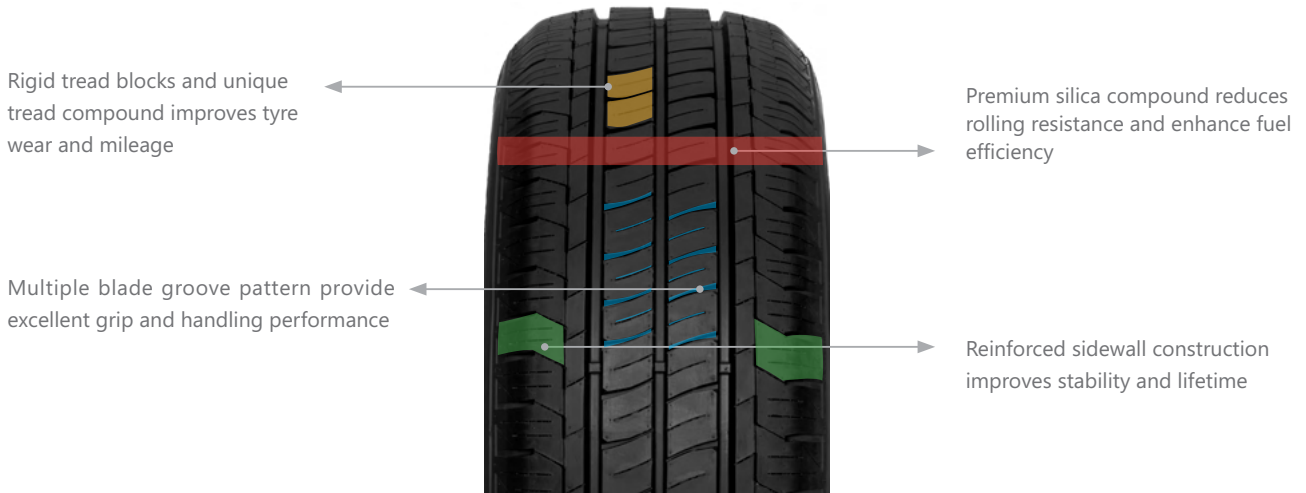


Silica Handling Wet traction High mileage Safety

SIZE	LOAD INDEX	SPEED RATING	STANDARD RIM	SECTION WIDTH (mm)	OVERALL DIAMETER (mm)	MAX LOAD CAPACITY (kg)	MAX PRESSURE (kPa)	MAX SPEED (km/h)
155R13C 8PR	90/88	S	4.5B	157	578	600/560	450	180
195/50R13C	104/101	N	6.0B	197	527	900/825	650	140
165/70R14C 6PR	89/87	R	5 J	170	588	580/545	375	170
175R14C 8PR	99/98	R	5 J	178	634	775/750	450	170
175/65R14C 6PR	90/88	T	5 J	177	584	600/560	350	190
185R15C 8PR	103/102	R	5 1/2 J	188	674	875/850	450	170
195/70R15C	104/102	S	6.0J	201	655	900/850	450	180
205/65R15C 6PR	102/100	T	6 J	209	647	850/800	375	190
205/70R15C	106/104	S	6.0J	209	669	950/900	450	180
215/70R15C 8PR	109/107	S	6 1/2J	221	683	1030/975	450	180
225/70R15C 8PR	112/110	S	6 1/2J	228	697	1120/1060	450	180
185/75R16C 8PR	104/102	R	5 J	184	684	900/850	475	170
195/60R16C 6PR	99/97	H	6 J	201	640	775/730	375	210
195/65R16C 8PR	104/102	S	6J	201	660	900/850	450	180
195/75R16C 8PR	107/105	S	5 1/2J	196	698	975/925	450	180
195/75R16C 10PR	110/108	S	5 1/2J	196	698	1060/1000	525	180
195/85R16C	114/112	L	5 1/2 J	196	738	1180/1120	550	120
205/65R16C 8PR	107/105	T	6 J	209	672	975/925	450	190
205/75R16C	110/108	S	5.5J	203	714	1060/1000	475	180

## ECOBLUE VAN2

SIZE	LOAD INDEX	SPEED RATING	STANDARD RIM	SECTION WIDTH (mm)	OVERALL DIAMETER (mm)	MAX LOAD CAPACITY (kg)	MAX PRESSURE (kPa)	MAX SPEED (km/h)
205/85R16C	117/115	L	5 1/2 J	203	754	1285/1215	550	120
215/60R16C 6PR	103/101	R	6 1/2J	221	664	875/825	375	170
215/60R17C 8PR	109/107	H	6 1/2 J	221	690	1030/975	475	210
215/65R16C 8PR	109/107	S	6 1/2J	221	686	1030/975	450	180
215/75R16C 8PR	113/111	R	6 J	216	728	1150/1090	475	170
225/65R16C 8PR	112/110	S	6 1/2J	228	698	1120/1060	450	180
225/75R16C 10PR	121/120	S	6.0J	223	744	1450/1400	550	180
235/65R16C 8PR	115/113	S	7J	240	712	1215/1150	450	180
195R14C 8PR VAN	106/104							
195R15C 8PR VAN	106/104							

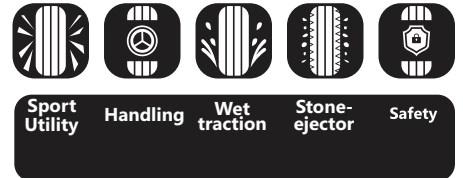




**SUPERIA**  
BELGIUM BRAND TYRES



## ECOBLUE SUV



SIZE	LOAD INDEX	SPEED RATING	STANDARD RIM	SECTION WIDTH (mm)	OVERALL DIAMETER (mm)	MAX LOAD CAPACITY (kg)	MAX PRESSURE (kPa)	MAX SPEED (km/h)
235/60R16 100V	100	V	7J	240	688	800	300	240
215/60R17 96H	96	H	6.5J	221	690	710	300	210
225/60R17 99H	99	H	6.5J	228	702	775	300	210
235/60R17 102V	102	V	7J	240	714	850	300	240
215/55R18 99V	99 XL	V	7J	226	693	775	340	240
225/55R18 102V	102 XL	V	7J	233	705	850	340	240
235/55R18 104V	104 XL	V	7.5J	245	715	900	340	240
255/55ZR18 109W	109 XL	W	8J	265	737	1030	340	270
255/50ZR19 107W	107 XL	W	8J	265	739	975	340	270
265/50ZR20 111W	111 XL	W	8.5J	277	774	1090	340	270
275/40ZR20 106W	106 XL	W	9.5J	278	728	950	340	270
275/45ZR20 110W	110 XL	W	9J	273	756	1060	340	270
275/55R20 117V	117 XL	V	8.5J	284	810	1285	340	240
285/35ZR22 106W	106 XL	W	10J	290	759	950	340	270
285/50ZR20 116W	116 XL	W	9J	297	794	1250	340	270
305/40ZR22 114W	114 XL	W	11J	313	803	1180	340	270



**SUPERIA**  
BELGIUM BRAND TYRES

## ECOBLUE SUV

### stability and extra traction

Solid center rib designed for high-speed stability and extra traction

### improve hydroplaning resistance

Four wide circumferential rain grooves improve hydroplaning resistance



### improve steering precision

Reinforced shoulder and sidewall improve steering precision, response for driving fun

### improve self-cleaning performance

Stone-ejector elements minimize rock retention and improve self-cleaning performance





**SUPERIA**  
BELGIUM BRAND TYRES



## ECOBLUE AT



Sport Utility Handling Wet traction Stone-ejector Safety

SIZE	LOAD INDEX	SPEED RATING	STANDARD RIM	SECTION WIDTH (mm)	OVERALL DIAMETER (mm)	MAX LOAD CAPACITY (kg)	MAX PRESSURE (kPa)	MAX SPEED (km/h)
LT215/75R15	100/97	S	6J	216	703	800/730	350	180
LT225/75R15	102/99	S	6J	223	719	850/775	350	180
LT235/75R15	104/101	S	6.5J	235	733	900/825	350	180
225/70R16 103T	103	T	6.5J	228	722	875	300	190
LT235/70R16	104/101	S	7J	240	736	900/825	350	180
LT245/70R16	113/110	S	7J	248	750	1150/1060	450	180
LT265/70R16 8PR	117/114	S	8J	272	778	1285/1180	450	180
LT265/70R16 10PR	121/118	S	8J	272	778	1450/1320	550	180
225/65R17	102	T	6.5J	228	724	850	300	190
235/65R17	104	T	7J	240	738	900	300	190
265/60R18	110	T	8J	272	775	1060	300	190
LT265/65R17	120/117	R	8J	272	776	1400/1285	550	170
LT285/50R20	119/116	S	9J	297	794	1360/1250	550	180
265/70R18	116	T	8J	272	829	1250	300	190



**SUPERIA**  
BELGIUM BRAND TYRES

OFF ROAD  
**4X4**  
PTC GROUP

**ECOBBLUE AT**





**SUPERIA**  
BELGIUM BRAND TYRES



## ECOBBLUE AT2



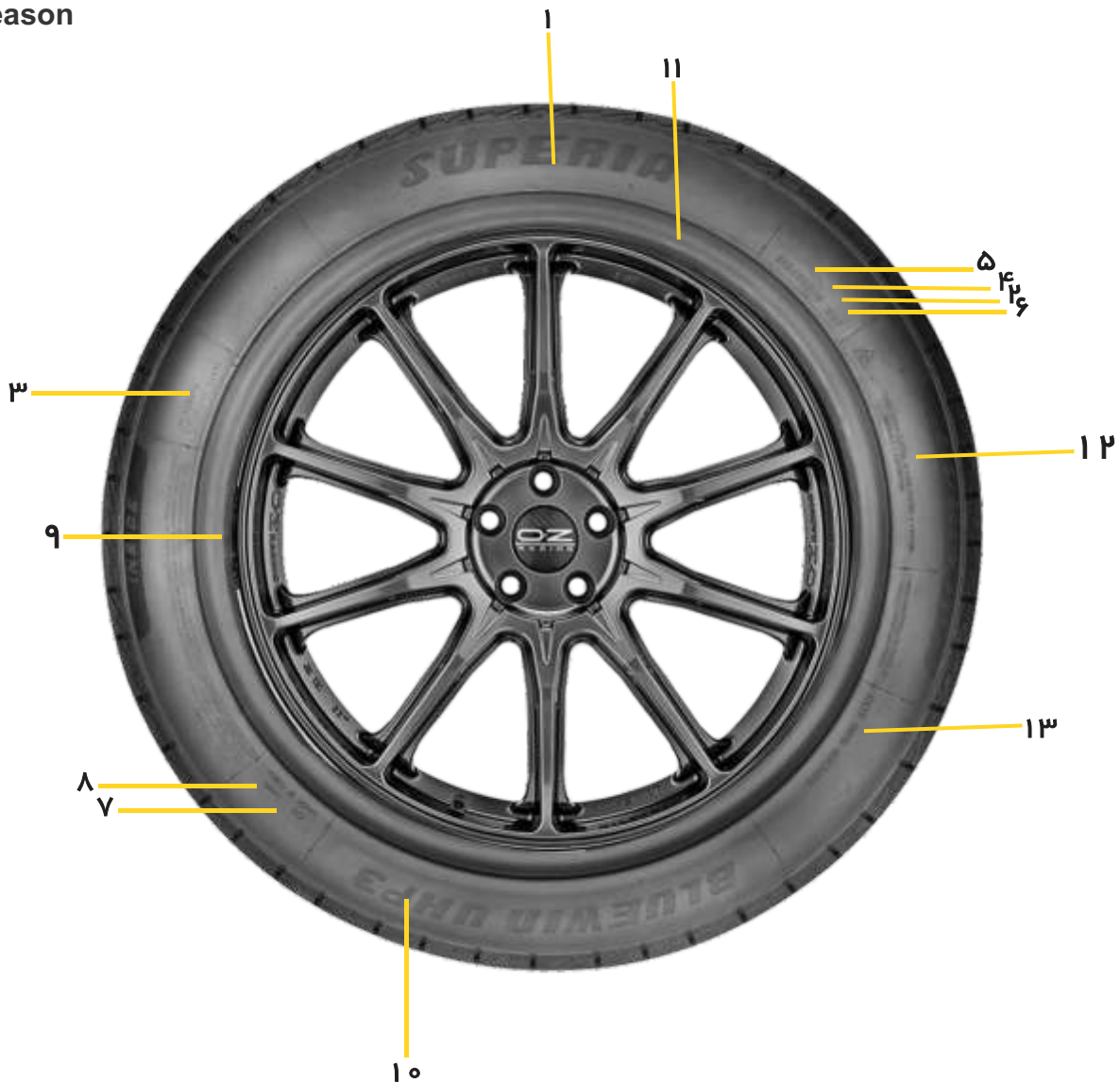
Sport Utility Handling Wet traction Stone-ejector Safety

SIZE	LOAD INDEX	SPEED RATING	STANDARD RIM	SECTION WIDTH (mm)	OVERALL DIAMETER (mm)	MAX LOAD CAPACITY (kg)	MAX PRESSURE (kPa)	MAX SPEED (km/h)
265/70R16	112	T	8J	272	778	1120	300	190
275/70R16	114	H	8J	279	792	1180	300	210
265/70R17	115	H	8J	272	804	1215	300	210
285/65R17	116	H	8.5J	292	802	1250	300	210
265/60R18	110	H	8J	272	775	1060	300	210
285/60R18	116	V	8.5J	292	799	1250	300	240



**SUPERIA**  
BELGIUM BRAND TYRES

- 1 Brandname
- 2 Construction
- 3 European Standard
- 4 Aspect Ratio
- 5 Section width(mm)
- 6 Rim outer Diameter
- 7 Load index
- 8 Speed index
- 9 Mud & snow
- 10 Pattern name
- 11 uniform Tire Quality Garde standard
- 12 All season
- 13 Dot





# SUPERIA

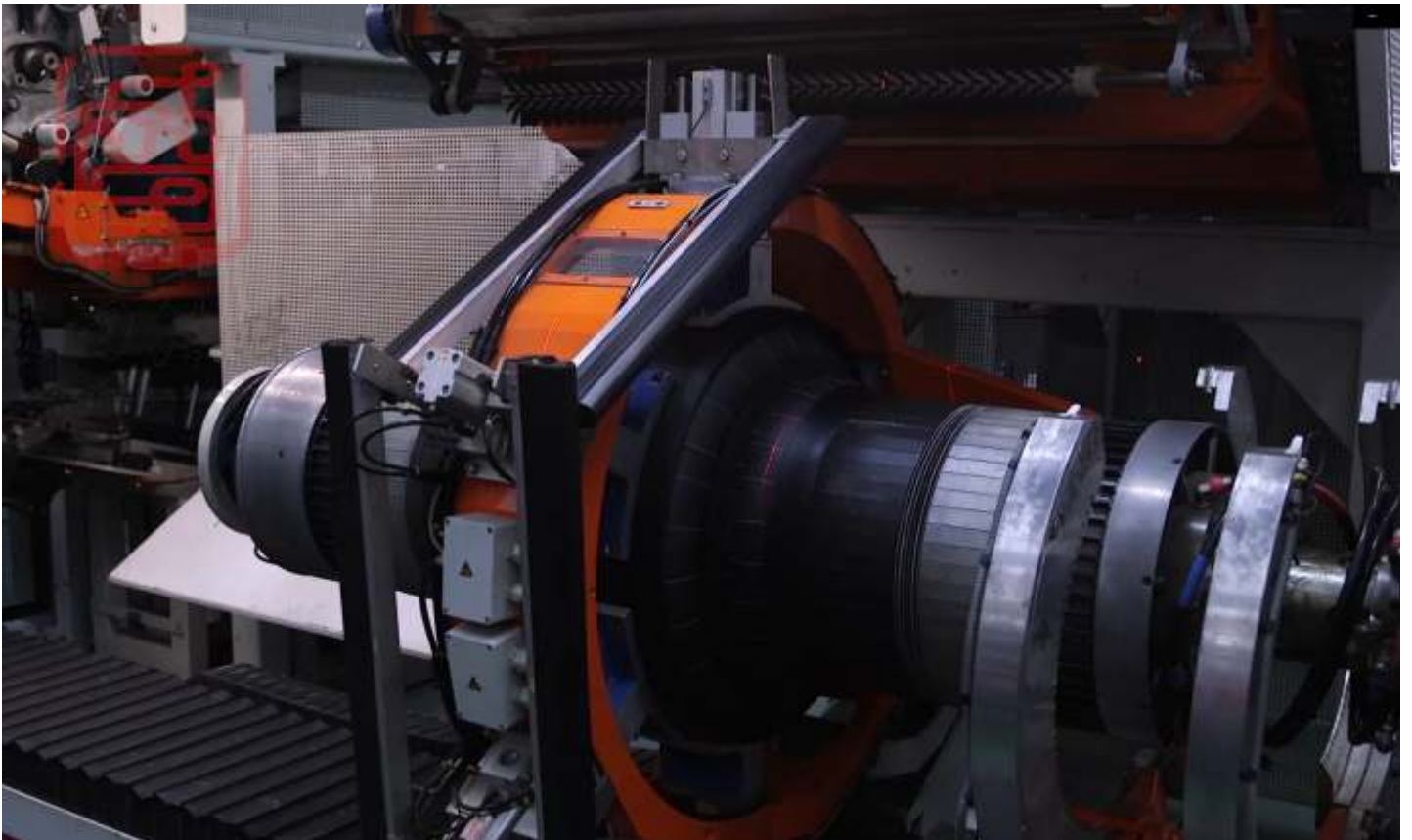
BELGIUM BRAND TYRES





**SUPERIA**  
BELGIUM BRAND TYRES





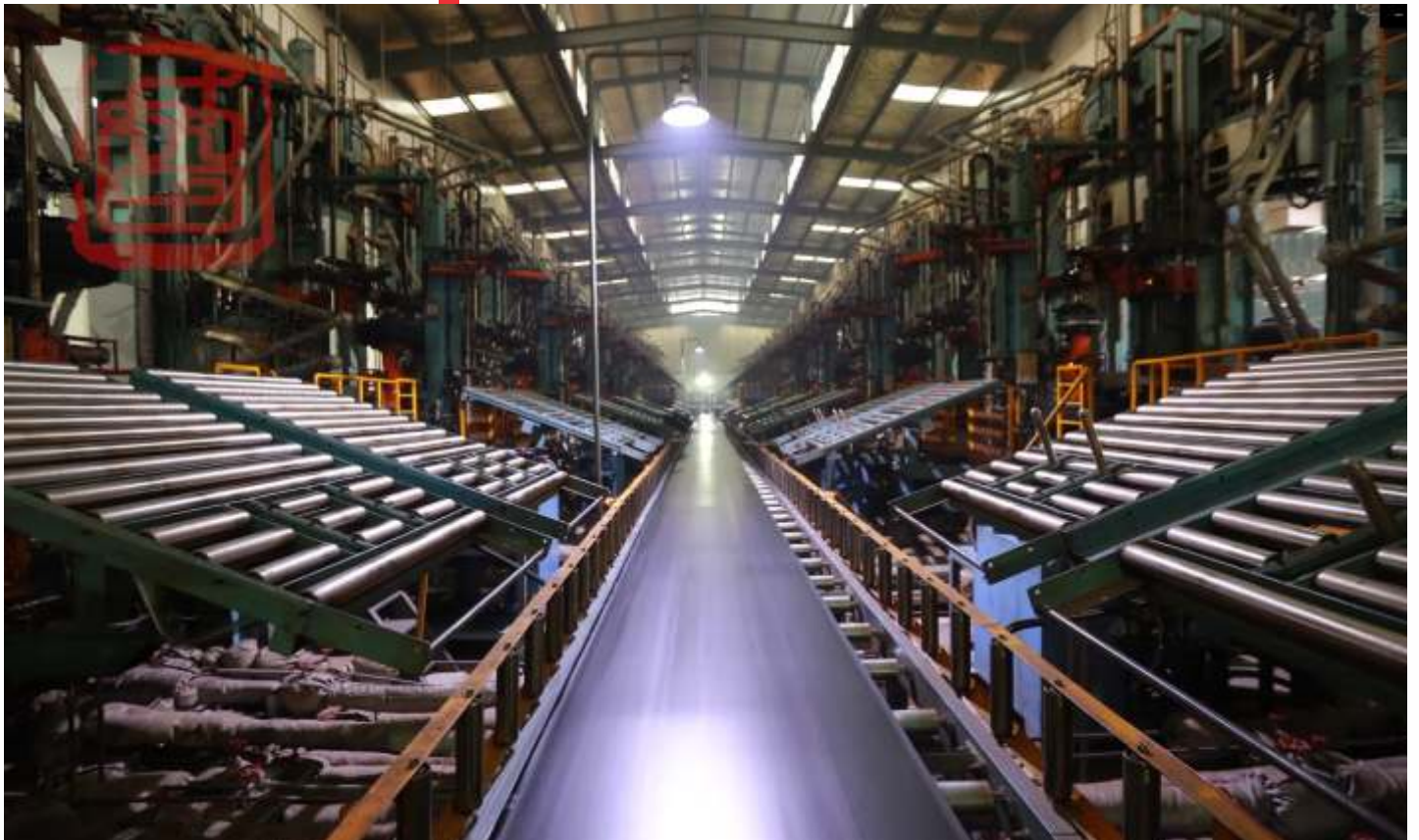


**SUPERIA**  
BELGIUM BRAND TYRES





**SUPERIA**  
BELGIUM BRAND TYRES





**SUPERIA**  
BELGIUM BRAND TYRES



**SUPERIA**  
BELGIUM BRAND TYRES



## SPEEF INEDX

SYMBOL	(km/h) MAX SPEED	SYMBOL	(km/h) MAX SPEED
F	80	R	170
G	90	S	180
J	100	T	190
K	110	U	200
L	120	H	210
M	130	V	240
N	140	ZR	Over 240
P	150	W	270
Q	160	Y	300

## LOAD INDEX

SYMBOL	kg	SYMBOL	kg
57	230	99	775
58	236	100	800
59	243	101	825
60	250	102	850
61	257	103	875
62	265	104	900
63	272	105	925
64	280	106	950
65	290	107	975
66	300	108	1000
67	307	109	1030
68	315	110	1060
69	325	111	1090
70	335	112	1120
71	345	113	1150
72	355	114	1180
73	365	115	1215
74	375	116	1250
75	387	117	1285
76	400	118	1320
77	412	119	1360
78	425	120	1400
79	437	121	1450
80	450	122	1500
81	462	123	1550
82	485	124	1600
83	487	125	1650
84	500	126	1700
85	515	127	1750
86	530	128	1800
87	545	129	1850
88	560	130	1900
89	582	131	1950
90	600	132	2000
91	615	133	2060
92	630	134	2120
93	650	135	2180
94	670	136	2240
95	690	137	2300
96	710	138	2360
97	730	139	2430
98	750	140	2500



**SUPERIA**  
BELGIUM BRAND TYRES









**SUPERIA**  
BELGIUM BRAND TYRES



[www.ptctyre.com](http://www.ptctyre.com)

Dubai +97 14 227 35 35

Sharjah +971 6 528 02 02

Iran +98 21 3399 0000

PTC GROUP L.L.C

P.O.BOX:62721, Dubai - UAE

 P T C G R O U P

Canada +1 416 809 77 98

Germany +49 176 4700 8432

England +44 774 788 7676

 **PTC GROUP**

Tyres & Wheels